

## PTZ-T4115I-D 1 MP IR Turbo 4-Inch Speed Dome



HiLook PTZ-T4115I-D IR Turbo 4-Inch Speed Dome is able to capture high quality images in poor light environment. The black anti-reflective glass increases the luminousness which helps IR distance reach up to 100 m.

The embedded CMOS chip makes WDR, and real-time 1280 × 720 resolution possible. With the help of the 15× optical zoom, and IR cut filter, the camera offers more details over an expansive area.

- 1/4" HD progressive scan CMOS
- 1280 × 720 resolution
- 15× optical zoom
- DWDR (Digital Wide Dynamic Range)
- Up to 100 m IR distance
- 3D intelligent positioning
- Turbo HD and CVBS outputs

## Specification

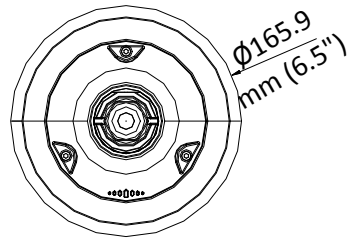
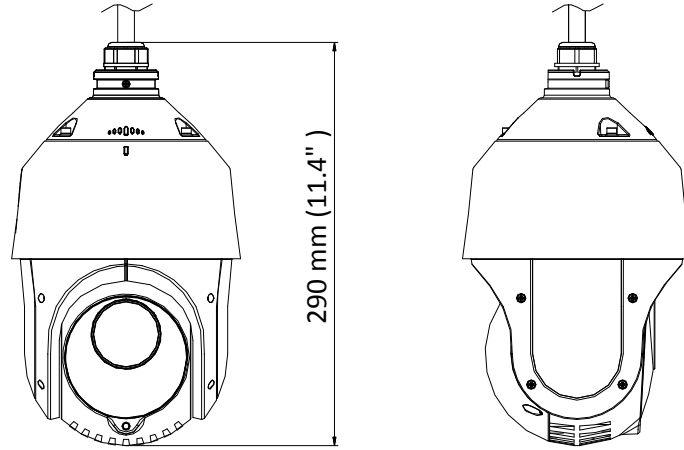
<b>Camera</b>	
Model	PTZ-T4115I-D
Image Sensor	1/4" progressive scan CMOS
Max. Image Resolution	1280 × 720
Frame Rate	50Hz: 25fps @(1280 × 720) 60Hz: 30fps @(1280 × 720)
Min. Illumination	Color: 0.05 Lux @(F1.5, AGC ON) B/W: 0.005 Lux @(F1.5, AGC ON) 0 lux with IR
White Balance	Auto/Manual/ATW/Indoor/Outdoor
AGC	Auto/Manual
DNR	3D DNR
WDR	DWDR
Shutter Time	PAL: 1/1 s to 1/10,000 s NTSC: 1/1 s to 1/10,000 s
Day & Night	IR cut filter
Privacy Mask	8 programmable privacy masks
<b>Lens</b>	
Focus Mode	Auto/Semiauto/Manual
Focal Length	4 mm to 60 mm, 15× Optical
Aperture Range	F 1.5 to F 2.5
Horizontal Field of View	49.1° to 3.5° (wide to tele)
Min. Working Distance	10 mm to 1500 mm (wide to tele)
Zoom Speed	Approx. 2.4 s (optical, wide to tele)
<b>Pan and Tilt</b>	
Pan Range	360° endless
Pan Speed	Pan manual speed: 0.1° to 80°/s Pan preset speed: 80°/s
Tilt Range	-15° to 90° (auto flip)
Tilt Speed	Tilt manual speed: 0.1° to 80°/s Tilt preset speed: 80°/s
Proportional Zoom	Rotation speed can be adjusted automatically according to zoom multiples
Patrol	10 patrols, up to 32 presets per patrol
Pattern	5 patterns, with the total recording time no less than 10 minutes
Power-off Memory	Support
Park Action	Preset/Patrol/Pattern/Pan Scan/Tilt Scan/Panorama Scan/Day Mode/Night Mode/None
PTZ Position Display	ON/OFF
Preset Freezing	Support
Scheduled Task	Preset/Patrol/Pattern/Pan Scan/Tilt Scan/Panorama Scan/Day Mode/Night Mode/Zero Calibration/None

<b>Infrared</b>	
IR Distance	Up to 100 m
IR Intensity	Automatically adjusted depending on the zoom ratio
<b>Input/Output</b>	
Turbo HD Output	1 turbo 720p output, NTSC (or PAL) composite, BNC
CVBS Output	1.0V[p-p]/75Ω, NTSC (or PAL) composite, BNC
RS-485 Interface	Half-duplex mode Self-adaptive HIKVISION, Pelco-P, Pelco-D protocol
UTC function	UTC protocol (or HIKVISION-C protocol in previous DVR)
<b>General</b>	
Menu Language	English
Power	12 VDC Max.20 W (IR: 7 W)
Working Temperature	-30° C to 65° C (-22° F to 149° F)
Working Humidity	90% or less
Protection Level	IP66 standard (outdoor dome) TVS 4,000 V lightning protection, surge protection and voltage transient protection
Mounting	Various mounting modes optional
Dimension	Ø 165.9 mm × 290 mm (Ø 6.5" × 11.4")
Weight (approx.)	2Kg (4.41lb.)

## Order Model

PTZ-T4115I-D

## Dimensions



## Accessories



DS-1602ZJ  
Wall Mount



DS-1602ZJ-Conner  
Conner Mount



DS-1602ZJ-Pole  
Pole Mount



DS-1602ZJ-Box  
Box Mount



DS-1663ZJ  
Ceiling mount



DS-1661ZJ  
Pendant mount



DS-1662ZJ  
Pendant mount



DS-1619ZJ  
Swan-neck Mount



DS-1005KI  
USB Joy-stick