

IPC-D620H-V/Z 2.0 MP VF Network Bullet Camera



Key Features

- 1/2.8" progressive scan CMOS
- 1920 × 1080@30fps
- 2.8 mm to 12 mm manual/motorized (with -Z) vari-focal lens
- H.265+, H.265, H.264+, H.264
- Dual stream
- Digital WDR (Wide Dynamic Range)
- 3D DNR (Digital Noise Reduction)
- Up to 30 m IR range
- PoE (Power over Ethernet)
- IP67, IK10

Specification

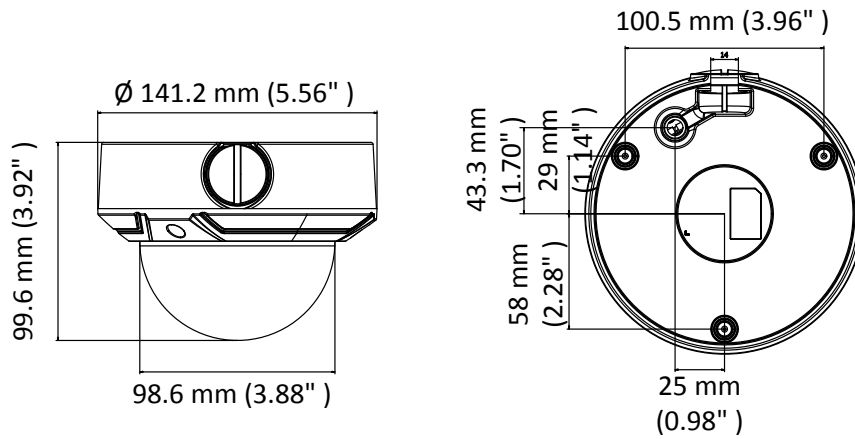
Camera	
Image Sensor	1/2.8" progressive scan CMOS
Min. Illumination	Color: 0.01 Lux @(F1.2, AGC ON), 0.018Lux @ (F1.6, AGC ON)
Shutter Speed	1/3 s to 1/100, 000 s, support slow shutter
Slow Shutter	Yes
Auto-Iris	No
Day & Night	IR cut filter
Digital Noise Reduction	3D DNR
WDR	Digital WDR
Angle Adjustment	Pan: 0° to 355°, tilt: 0° to 70°, rotation: 0° to 360°
Lens	
Focal length	2.8 to 12 mm
Aperture	F1.6
Focus	-V: Manual -Z: Auto
FOV	Horizontal field of view: 98° to 34° Vertical field of view: 52° to 19° Diagonal field of view: 116° to 40°
Lens Mount	Φ14
IR	
IR Range	Up to 30 m
Wavelength	850 nm
Compression Standard	
Video Compression	Main stream: H.265/H.264 Sub stream: H.265/H.264/MJPEG
H.264 Type	Baseline Profile/Main Profile/High Profile
H.264+	Main stream supports
H.265 Type	Main Profile
H.265+	Main stream supports
Video Bit Rate	32 Kbps to 8 Mbps
Smart Feature-set	
Region of Interest	1 fixed region for main stream and sub-stream
Image	
Max. Resolution	1920 × 1080
Main Stream Max. Frame Rate	50Hz: 25fps (1920 × 1080, 1280 × 960, 1280 × 720) 60Hz: 30fps (1920 × 1080, 1280 × 960, 1280 × 720)
Sub-stream Max. Frame Rate	50Hz: 25fps (704 × 576, 640 × 480, 352 × 288) 60Hz: 30fps (704 × 480, 640 × 480, 352 × 240)
Image Enhancement	BLC, 3D DNR
Image Setting	Saturation, brightness, contrast, sharpness, AGC, white balance adjustable by client software or web browser
Day/Night Switch	Auto, scheduled
Network	
Network Storage	Support Micro SD/SDHC/SDXC card (128G), local storage and NAS (NFS,SMB/CIFS), ANR
Alarm Trigger	Motion detection, video tampering alarm, network disconnected, IP address conflicted, illegal login
Protocols	TCP/IP, ICMP, HTTP, HTTPS, FTP, DHCP, DNS, DDNS, RTP, RTSP, RTCP, NTP, UPnP, SMTP, IGMP,

	802.1X, QoS, IPv6, UDP, Bonjour
General Function	One-key reset, anti-flicker, heartbeat, mirror, password protection, privacy mask, watermark
Firmware Version	5.5.2
API	ONVIF (PROFILE S, PROFILE G), ISAPI
Simultaneous Live View	Up to 6 channels
User/Host	Up to 32 users 3 levels: Administrator, Operator and User
Client	iVMS-4200, iVMS-4500, iVMS-5200
Web Browser	IIE7+, Chrome18-42, Firefox5.0+, Safari5.02+
Interface	
Communication Interface	1 RJ45 10M/100M self-adaptive Ethernet port
Video Output (Without -Z)	1Vp-p composite output (75 Ω/BNC)
General	
Operating Conditions	-30 °C to 50 °C (-22 °F to 122 °F), humidity: 95% or less (non-condensing)
Power Supply	12 VDC ± 25%, 5.5 mm coaxial power plug PoE (802.3af, class 3)
Power Consumption and Current	-Z: 12 VDC, 0.8 A, Max: 10 W; PoE: (802.3af, 36 V to 57 V), 0.35 A to 0.2 A, Max: 12 W -V: 12 VDC, 0.5 A, Max: 6 W; PoE: (802.3af, 36 V to 57 V), 0.22 A to 0.14 A, Max: 8 W
Protection Level	IP67, IK10 TVS 2000V lightning protection, surge protection and voltage transient protection
Material	Metal & Plastic
Dimensions	Camera: Ø 141 mm × 99.6 mm (Ø 5.6" × 3.9") With package: 140 mm × 140 mm × 154 mm (5.5" × 5.5" × 6.1")
Weight	Camera: Approx. 830 g (1.8 lb.) With package: Approx. 1070 g (2.4 lb.)

Available Model

IPC-D620H-V (2.8 mm to 12 mm), IPC-D620H-Z (2.8 mm to 12 mm)

Dimension



Accessory



DS-1227ZJ
In-ceiling Mount



DS-1273ZJ-135
Wall Mount



DS-1273ZJ-135B
Wall Mount



DS-1280ZJ-DM21
Junction Box



DS-1276ZJ-SUS
Corner Mount



DS-1275ZJ-SUS
Vertical Pole Mount



DS-1281ZJ-DM23
Inclined Ceiling Mount



DS-1271ZJ-135
Pendant mount