

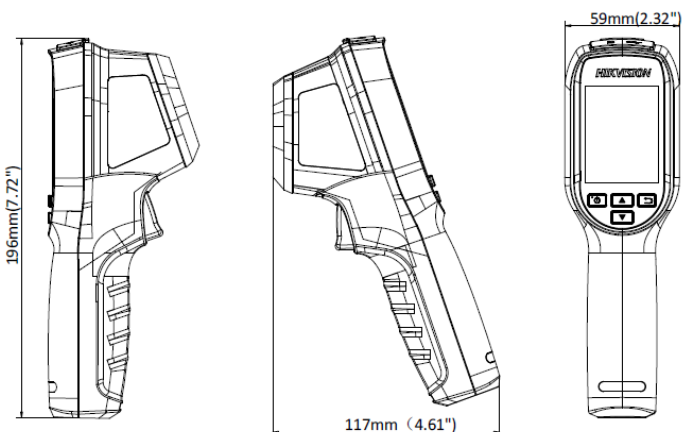
DS-2TP31-3AUF

Handheld Thermography Camera



- 160 x 120 Thermal Resolution
- 320 x 240, 2.4" LCD Display
- NETD <40 mk
- Built-in Rechargeable Li-Ion Battery
- Up to 8h Continuous Run Time
- IP54 Protection

Dimensions



Units: mm (inches)

The Hikvision DS-2TP31-3AUF Handheld Thermography Camera is designed to effectively measure differences in temperature in situations that require the rapid identification of potential heat leaks, such as factories, transformer substations, etc.

It is equipped with a high sensitivity 160 x 120 thermal detector and a 320 x 240, 2.4" LCD display. It has a thermometric D:S of 75:1, which means that a 1 cm target can be measured from a distance of 75 cm.

The DS-2TP31-3AUF supports the following functions:

Thermography – detects real-time temperature and displays it on the screen

Storage – replaceable memory card that stores captured screenshots and important data

Palette – 4 palettes supported

Laser Light Supplement – long-distance laser light supplements allows for the accurate viewing of thermographic targets

Available models:
DS-2TP31-3AUF



Specifications

DS-2TP31-3AUF

Thermal Module

Image Sensor	Uncooled focal plane arrays
Maximum Resolution	160 × 120
Pixel Pitch	17 μm
Response Waveband	8 μm to 14 μm
NETD	<40 mk (@ 25 °C, F#=1.0)
Lens (Focal Length)	3.1 mm
IFOV (mrad)	5.48
Field of View	37.2° x 50°
Minimum Focusing Distance	≥ 150 mm
Aperture	f/1.1

Image Display

Monitor	2.4-inch LCD display, 320 x 240
Palettes	Black hot, white hot, red hot, ironbow

Thermography

Rules	3 thermometry points: maximum temperature, minimum temperature, center temperature
Thermometry Range	-4 °F to 1022 °F (-20 °C to 550 °C)
Thermometry Accuracy	Maximum (±2 °C, ±2 %)
Thermography Distance	D:S = 75:1

Battery

Battery Type	Rechargeable lithium battery
Battery Operating Time	8 hour continuous running time

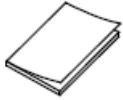


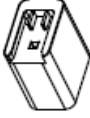

Functions

Laser Light	Supported (points toward the thermography target)
Storage	Replaceable memory card (default of 8 GB, supports up to 128 GB of internal storage)
Photo	Thermal image
Language	English

General

Power	3.7 VDC/0.4 A
Power Consumption	Less than 1.2 W
Hardware Interface	MicroUSB
Working Temperature	14 °F to 122 °F (-10 °C to 50 °C)
Protection level	IP54
Drop Test Height	6.56 ft (2 m)
Dimension (L x W x H)	7.7" x 4.6" x 2.3" (196 mm x 117 mm x 59 mm)
Weight	0.77 lbs (0.35 kg)
Accessory	Power adaptor, USB cable, 8 GB memory card, user manual, disk, wrist strap

Bill of Materials

				
User Manual	Disk	USB Cable	Power Adapter	Wrist Strap