



1-Zone Expansion Module V2.0 (DGP2-ZX1)



Instructions

DGP2ZX1-E03

The 1-Zone Expansion Module (DGP2-ZX1) is an interface between the DigiplexNE or Digiplex control panels and any hardwired detection devices. The DGP2-ZX1 connects to the DigiplexNE/Digiplex control panels' combus providing you with one additional hardwired input.

INSTALLATION

The DGP2-ZX1 modules are connected to the control panel's combus in a star and/or daisy chain configuration. The combus consists of four wires that provide power and two-way communication between the control panel and all modules connected to it. Connect the four terminals labeled red, black, green, and yellow of each DGP2-ZX1 to the corresponding terminals on the control panel as shown in Figure 1 on the back of this instruction. Please refer to the appropriate control panel's *Installation & Reference Manual* for maximum allowable installation distance from the control panel.

ZONE CONNECTIONS

Each DGP2-ZX1 has one hardwired input terminal that will allow you to connect up to two (with ATZ enabled) non-bus detection devices to the DigiplexNE/Digiplex system. Each device connected to the DGP2-ZX1's input terminal must be assigned to a zone in the control panel and the zone's parameters must be defined. For more information, please refer to the appropriate control panel *Installation & Reference Manual*. The DGP2-ZX1 will communicate the status of the zones to the control panel through the combus. Connect the devices to the DGP2-ZX1 as shown in Figure 1 on the back of this sheet.



The DGP2-ZX1 follows the ATZ and EOL definitions set in the DigiplexNE/Digiplex control panels.

PROGRAMMING METHOD

From any keypad connected to the combus:

STEP 1: Press and hold the [0] key
 STEP 2: Enter the [INSTALLER CODE]
 STEP 3: Enter section [953] (DGP-848) / [4003] (DGP-NE96)
 STEP 4: Enter the DGP2-ZX1's 8-digit [SERIAL NUMBER]
 STEP 5: Enter the 3-digit [SECTION] you want to program
 STEP 6: Enter the required data

Please note the following:

- The serial number is located on the DGP2-ZX1's PC board.
- We recommend that you use the DGP2-ZX1's programming sheet found in the *DigiplexNE/Digiplex Modules' Programming Guide* to keep track of what was programmed and how.
- This module can also be programmed using the control panel's *Module Broadcast Feature* (refer to the appropriate control

panel *Installation & Reference Manual*) as well as through the WinLoad Security Management Software (refer to the *WinLoad Software Online Help* for more information).

Section [001] - Option [1]

Tamper Recognition

The DGP2-ZX1 comes equipped with an on-board tamper switch. When option [1] is enabled in section [001] and the tamper switch is triggered, a Module Tamper report will be sent to the control panel via the combus.

INPUT SPEED TIMINGS

The input speed defines how quickly the input terminal on the DGP2-ZX1 responds to an open zone. The control panel will only respond if the zone remains open for the duration of the Input Speed. All other zone definitions and options don't come into effect until the control panel has responded. This feature prevents any momentary glitches from causing an alarm or unnecessary reporting.

$$\text{Input Speed} = \text{Base Time} \times \text{Time Value.}$$

Section [002]

Base Time

This section determines the unit of time to be multiplied by the Time Value.

000 = 15 milliseconds

001 = 1 second

002 = 1 minute

Section [003]

Time Value

Enter a 3-digit decimal value between 001 and 255. This decimal value will be multiplied by the Base Time to determine the input speed. *For example, if section [002] = 001 and section [003] = 030, the Input Speed will be 30 seconds.*

SPECIFICATIONS

On-board tamper switch:	Yes
Voltage:	9-16 VDC
Current consumption:	28mA maximum
Number of inputs:	1
Number of zones:	1 (2 with ATZ enabled) standard zone
Input speed:	15ms - 255 minutes
Power-up indication:	Green LED illuminated
Proper operation:	Red LED flashes
Locate indication:	Green LED flashes
Combus failure Indication:	Green and red LEDs flash alternately
Locate deactivation:	Press tamper switch
Humidity:	95% maximum

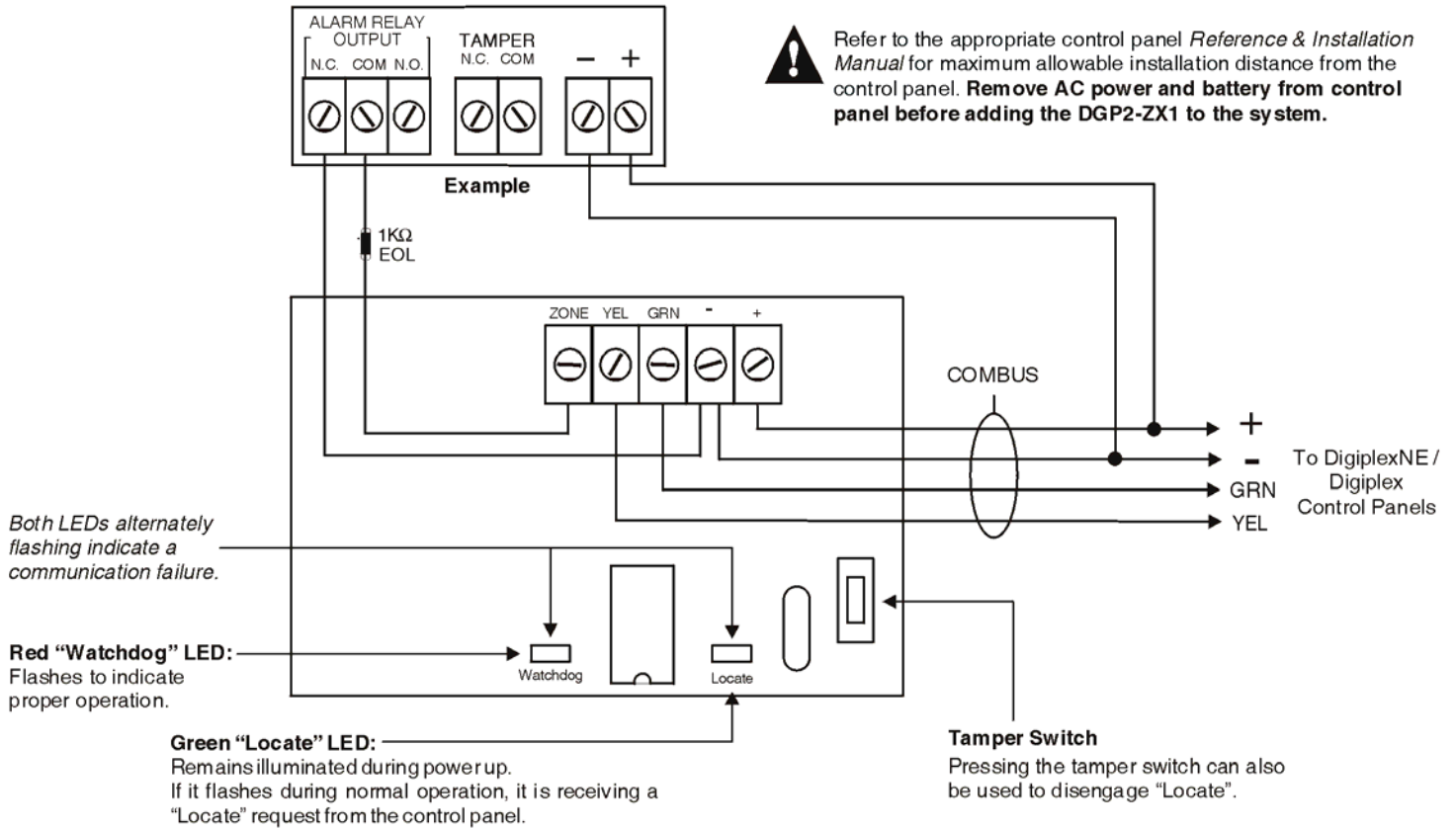
Figure 1: Connecting the DGP2-ZX1

N.C., With EOL

Refer to the appropriate control panel *Reference & Installation Manual* for additional configurations. **The DGP2-ZX1 follows the ATZ and EOL definitions set in the control panel.**



Refer to the appropriate control panel *Reference & Installation Manual* for maximum allowable installation distance from the control panel. **Remove AC power and battery from control panel before adding the DGP2-ZX1 to the system.**



© 2001-2003 Paradox Security Systems Ltd.

DigiplexNE, Digiplus, GuardWall and WinLoad are trademarks or registered trademarks of Paradox Security Systems Ltd. or its affiliates in Canada, the United States and/or other countries. All rights reserved.



P A R A D O X
S E C U R I T Y S Y S T E M S

780 Industriel Blvd., Saint-Eustache, (Quebec), J7R 5V3 CANADA
 Tel.: (450) 491-7444 Fax: (450) 491-2313

www.paradox.ca

PRINTED IN CANADA - 06/2003