

DS-M5504HMI Series Mobile DVR

Main Features

- User-friendly GUI providing easy and flexible operations.
- Pluggable 3G/4G module and 5.8 G Wi-Fi module providing flexible data transmission solutions.
- Built-in GPS (Global Positioning System) module precisely positioning the vehicle via the satellite and recording the location information in the video stream.
- Hikvision private protocol (4000 protocol) and ONVIF supported.
- Accept access of 4-ch TVI cameras with up to 720p/WD1 resolution for each channel.
- Accept access of 4-ch IP camera with up to 1080p resolution for each channel.
- Pluggable dummy HDD for HDD with up to 2 TB capacity.
- Information collection interfaces collecting driving information such as left/right turn, braking, backing up, etc.
- Specialized aviation connectors ensuring signal stability.
- Shutdown delay (0 h to 6 h) and 24-hour scheduled startup/shutdown.
- Battery protection avoids vehicle from running out of battery.
- Wide-range power input (+9 VDC to +32 VDC).
- Power-off protection prevents key data loss.
- Aluminum die-cast chassis with no fan design well adaptable to working environment.
- Software-based firewall supported.
- Connectable to PTZ camera and PTZ control is supported.
- Support accessing via WEB browser.

Available Models

DS-M5504HMI(1T),

DS- M5504HMI/GW(1T), (Supports 3G dialing)

DS- M5504HMI/GW/WI58(1T), (Supports 3G dialing and Wi-Fi)

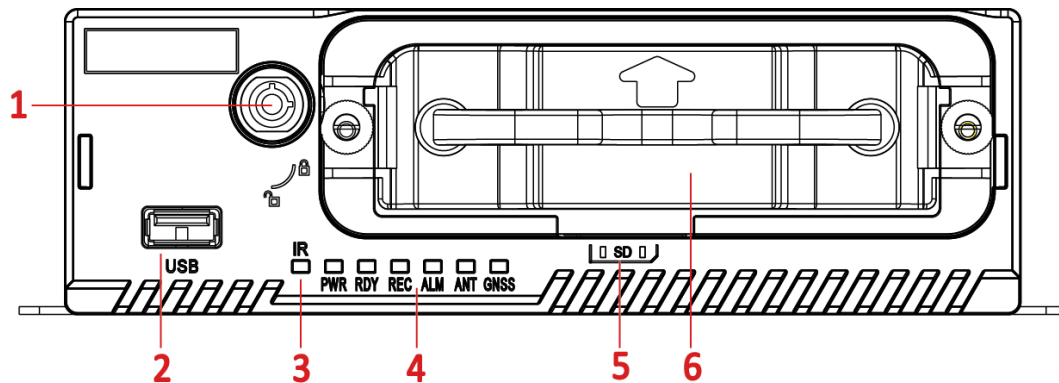


Specifications

Model		DS-M5504HMI
Video/audio input	Analog camera	4-ch
	IP camera	4-ch (extendable via PoE switch)
	Two-way audio	1-ch (integrated in EXT.DEV interface)
Video/audio output	Video Output	2-ch: 1-ch main output (integrated in EXT.DEV interface). 1-ch VGA video output
	Audio output	1-ch
Encoding/decoding parameters	Video compression	H.264, Smart264
	Encoding resolution	Main stream: 720p/WD1/4CIF. Sub-Stream: 4CIF/2CIF/CIF
	Frame rate	PAL: 1 to 25fps; NTSC: 1 to 30fps
	Audio compression	G.711
	Stream type	Video, Video & Audio
	Audio bitrate	16 Kbps
	Dual stream	Supported
Storage media	HDD/SSD	1 × 2.5 inch HDD/SSD. Up to 2 TB for each HDD/SSD
		A dummy HDD with USB 3.0 interface
	SD card	1 × SD card (stores data when HDDs/SSDs are damaged)
Wireless network	3G/4G dialing	1 × 3G/4G card; 1 × 3G/4G antenna
	Wi-Fi	2 × 5.8G Wi-Fi antenna
Positioning	GNSS (Global Navigation Satellite System)	1 × positioning antenna for GPS (Global Positioning System)
External interface	Network interface	1 × 10M/100M RJ45 Ethernet interface
	Serial port	2 × RS-232. 1 × RS-422 (integrated in EXT.DEV interface)
	USB interface	<ul style="list-style-type: none"> ● Front panel: 1 × USB 2.0 ● Rear panel: 1 × USB 2.0 of 5-pin aviation connector
	Sensor-in	4 high/low level signal inputs. 1 pulse signal input. 1 BUTTON input
	Alarm input	4 high/low level signal inputs
	Alarm output	2 relay signal outputs
General	Operating method	Mouse, IR remote control, Web control, and touchscreen
	Power supply	9 to 32 VDC
	Consumption	Standby: ≤ 0.5 W (remote wakeup supported)
		Fully loaded: ≤ 20 W (without display, camera, and HDD/SSD)
	Working temperature	<ul style="list-style-type: none"> ● Device of which the dummy HDD provides heating function: -10 °C to +55 °C (14 °F to 131°F) ● Other devices: -20 °C to +60 °C (-4 °F to +140 °F)
		Working humidity
	Dimensions (W × D × H)	236 × 210 × 73mm (9.3 × 8.3 × 2.9 inch)
Weight (without HDDs/SSDs)	1.6kg (3.5 lb)	

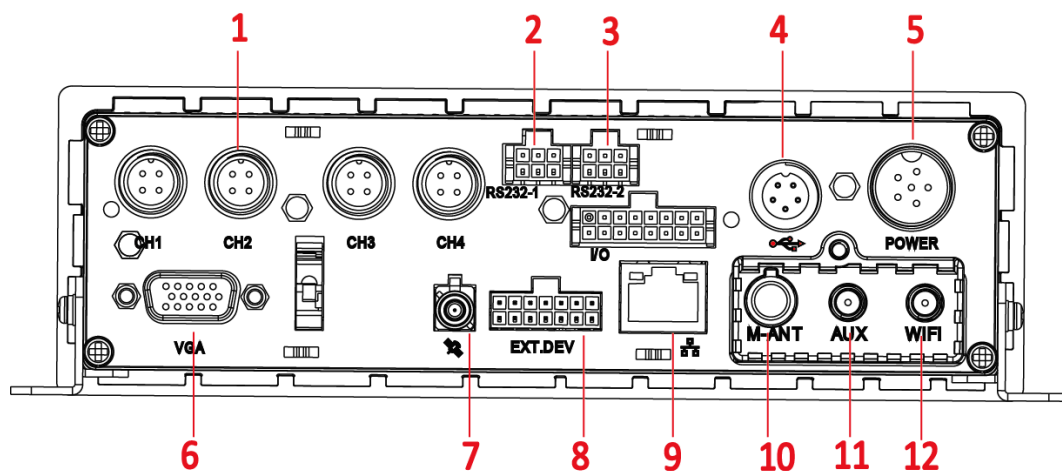
Physical Interfaces

Front Panel



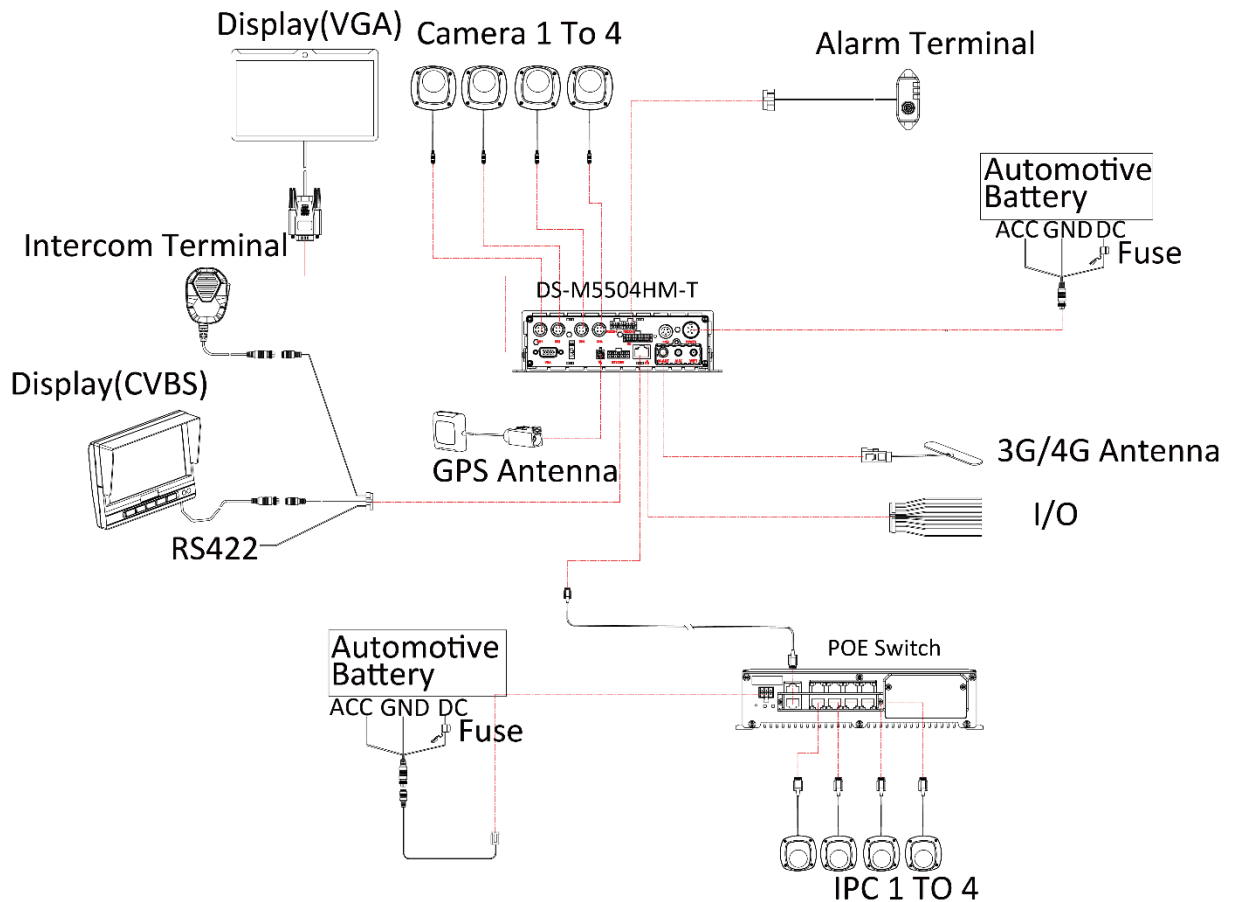
No.	Name	No.	Name
1	Dummy HDD/SSD lock	4	PWR: Power indicator
2	USB 2.0 interface		RDY: Ready indicator
3	IR receiver		REC: Record indicator
5	SD card slot		ALM: Alarm indicator
6	Dummy HDD/SSD		ANT: Dialing indicator
			GNSS: GPS indicator

Rear Panel



No.	Name	No.	Name
1	Analog video input	7	GNSS antenna interface
2	RS232-1 interface	8	RS-422 communication interface, two-way audio interface, and CVBS video output
3	RS232-2 interface	9	Network interface
4	USB 2.0 or 5-pin aviation connector	10	3G/4G dialing antenna interface
5	Power supply	11	Reserved.
6	VGA video output interface	12	Reserved.

Peripheral Connection



Distributed by



HIKVISION

Headquarters

No.555 Dianmo Road, Binjiang District,
Hangzhou 310051, China
T +86-571-8807-5998
overseasbusiness@hikvision.com

Hikvision USA
T +1-909-895-0400
sales.usa@hikvision.com

Hikvision Europe
T +31-23-55-42-770
info.eu@hikvision.com

Hikvision Middle East
T +971-4-8816086
salesme@hikvision.com

Hikvision Russia
T +7-495-668-67-99
saleru@hikvision.com

Hikvision India
T +91-22-28469900
sales@pramahikvision.com

Hikvision Italy
T +39-0438-6902
info.it@hikvision.com

Hikvision France
T +33(0)1-85-330-450
info.fr@hikvision.com

Hikvision Spain
T +34-91-737-16-55
info.es@hikvision.com

Hikvision Poland
T +48-22-460-01-50
poland@hikvision.com

Hikvision UK
T +01628-902140
support.uk@hikvision.com

Hikvision Singapore
T +65-6684-4718
sg@hikvision.com

Hikvision Oceania
T +61-2-8599-4233
salesau@hikvision.com

Hikvision Canada
T +1-909-895-0400
sales.usa@hikvision.com

Hikvision Korea
T +82-31-731-8841
sales.korea@hikvision.com

Hikvision Brazil
T +55 11 3318-0050
Latam.support@hikvision.com

Hikvision Africa
T +27 (0) 0351172
sale.africa@hikvision.com

Hikvision Hong Kong
T +852-2151-1761